

RP-TP-Series Technopolymer Rack and Pinion Actuator

Utilized with industrial and sanitary valves for quarter turn actuation in corrosive environment applications.

Features

- Double acting or spring return with non-metallic spring cartridges and epoxy coated springs
- Anti-blowout pinion
- Indicator: high visibility technopolymer
 - Open/close indication is standard
- Female double square output shaft

Specifications

- Size range: 62 in-lbs to 750 in-lbs
- Standard connections: ISO 5211 female output drive
 - NAMUR VDI/VDE 3845 solenoid and switch mounting standards
- Actuator data
 - Connections: 1/4" NPT
 - Operating pressure: **40 to 200 PSI**
 - Temperature range: **-4°F to 176°F (-20°C to 80°C)**
 - Operating media: lubricated air, hydraulic oil, or water
- Materials of construction
 - Body and spring cartridge: technopolymer
 - Elastomers: nitrile rubber
 - Piston: die cast aluminum
 - Pinion: nickle plated carbon steel
 - Fasteners: 304 stainless steel



Torque Ratings

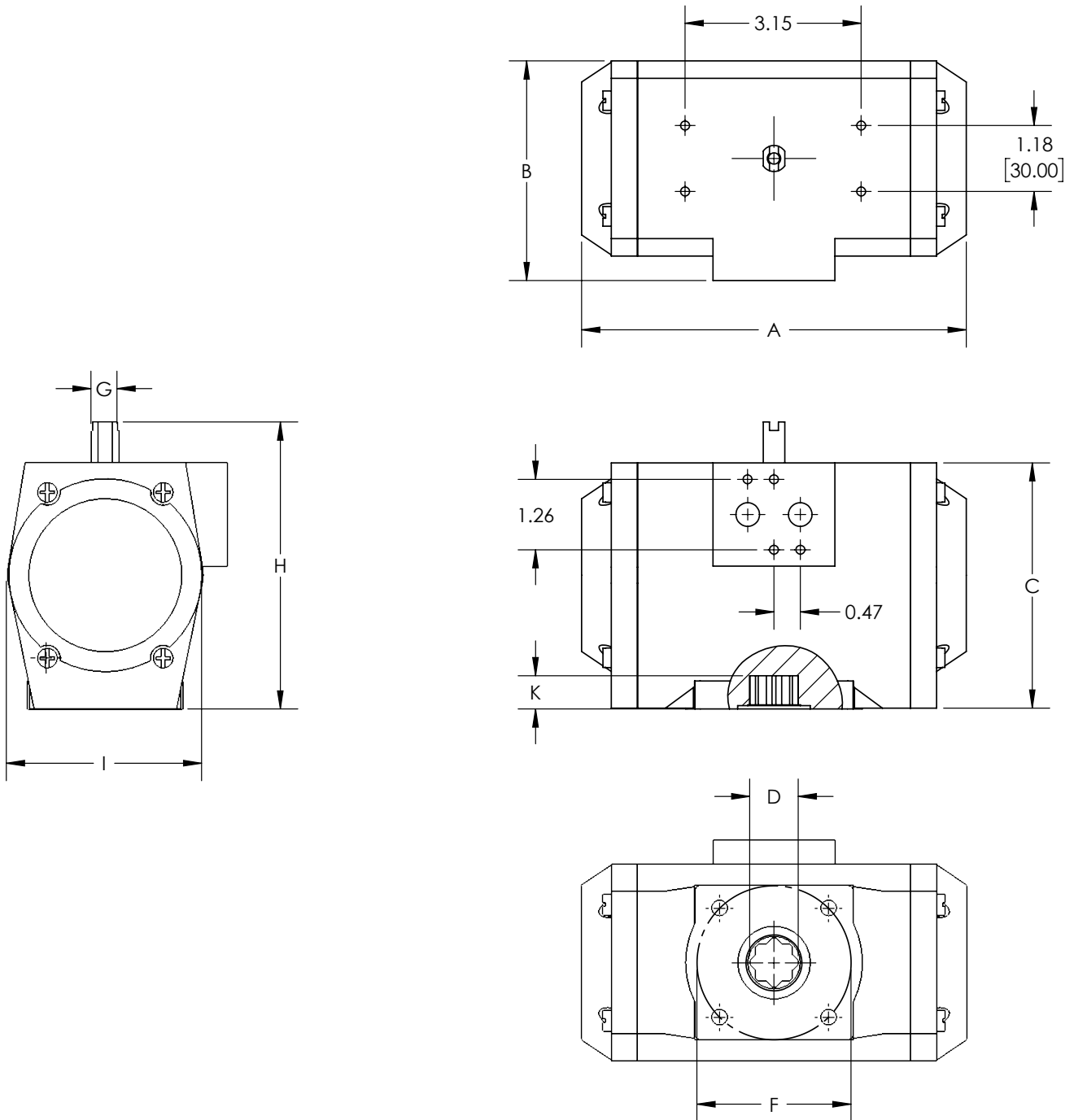
Double Acting

Part #	40 PSI	60 PSI	80 PSI	100 PSI	120 PSI
RP-TP-011-DA	62	94	125	156	187
RP-TP-014-DA	137	206	275	344	412
RP-TP-019-DA	250	375	500	625	750

Spring Return

Part #	Position #1 Spring Torque			Position #2 Air Torque					
				60 PSI		80 PSI		100 PSI	
	# Springs	Start	End	Start	End	Start	End	Start	End
RP-TP-011-SR	1+1	33	22	72	61	103	92	134	123
	2+2	66	44	50	28	81	59	112	90
	3+3	99	66	-	-	58	27	90	66
RP-TP-014-SR	2+2	75	53	153	131	222	200	291	269
	3+3	112	81	125	94	194	163	263	232
	4+4	150	107	99	56	168	125	237	194
	5+5	187	134	72	19	141	88	210	157
	7+5	224	160	-	-	115	51	184	120
RP-TP-019-SR	2+2	122	92	283	253	408	378	533	503
	3+3	184	138	237	191	362	316	487	441
	4+4	245	184	191	130	316	255	441	380
	5+5	307	230	145	68	270	193	395	318
	7+5	369	278	97	6	222	131	347	256

RP-TP-Series Technopolymer Rack and Pinion Actuator - Dimensions



Part #	A (in)	B (in)	C (in)	D (mm)	F	G (in)	H (in)	I (in)	K (in)
RP-TP-011-*	4.69	2.64	2.76	11	F04	0.47	3.58	2.09	0.49
RP-TP-014-*	6.30	3.39	3.54	14	F05	0.47	4.37	2.76	0.75
RP-TP-019-*	6.89	3.98	4.39	17	F07	0.47	5.22	2.76	0.91

* SR (spring return) or DA (double acting)

Limited Warranty

DIXON VALVE & COUPLING COMPANY, LLC (herein called "Dixon") warrants the products described herein and manufactured by Dixon to be free from defects in material and workmanship for a period of one (1) year from date of shipment by Dixon under normal use and service. Its sole obligation under this warranty being limited to repairing or replacing, as hereinafter provided, at its option any product found to Dixon's satisfaction to be defective upon examination by it, provided that such product shall be returned for inspection to Dixon's factory within three (3) months after discovery of the defect. The repair or replacement of defective products will be made without charge for parts or labor. This warranty shall not apply to: (a) parts or products not manufactured by Dixon, the warranty of such items being limited to the actual warranty extended to Dixon by its supplier; (b) any product that has been subject to abuse, negligence, accident, or misapplication; (c) any product altered or repaired by others than Dixon; and (d) normal maintenance services and the replacement of service items (such as washers, gaskets, and lubricants) made in connection with such services. To the extent permitted by law, this limited warranty shall extend only to the buyer and any other person reasonably expected to use or consume the goods who is injured in person by any breach of the warranty. No action may be brought against Dixon for an alleged breach of warranty unless such action is instituted within one (1) year from the date the cause of action accrues. This limited warranty shall be construed and enforced to the fullest extent allowable by applicable law.

Other than the obligation of Dixon set forth herein, Dixon disclaims all warranties, express or implied, including but not limited to any implied warranties of merchantability or fitness for a particular purpose, and any other obligation or liability. The foregoing constitutes Dixon's sole obligation with respect to damages, whether direct, incidental, or consequential, resulting from the use or performance of the product.

Some products and sizes may be discontinued when stock is depleted or may require a minimum quantity for ordering.

Limits of Liability

This brochure is intended as a product offering. It is not intended to be a user or technical manual. Information in this brochure is subject to change without notice. All users and distributors of products sold through this brochure should contact Dixon with questions of use, compatibilities, coupling procedures, and life of product. Our full-time engineering and test staff are always available to recommend uses and to assist distributors and users with any questions.



Safety



Safety logos, which appear throughout our catalog, are used as a reminder that the user should carefully review for the appropriateness of the product for the media, application, and environment in which it will be used.

NOTE: Because of the health hazards associated with contamination and lead content in drinking water systems, Dixon couplings, unless otherwise specifically approved, are not recommended for potable water service and should not be used in applications where drinking water will contact the wetted surfaces of the coupling.

All Dixon products are shipped in cartons with the following warning:

"WARNING: This product contains lead, a chemical known to the State of California to cause cancer and birth defects or other reproductive harm."

Trademark

Delrin® and Zytel® are registered trademarks of E.I. duPont Nemours and Company.

Kalrez® is a registered trademark of DuPont Dow Elastomers.

All other trademarks appearing in the Dixon illustrated product list are the property of their respective owners.

Copyright

Copyright © 2024 by Dixon Valve & Coupling Company, LLC

All rights reserved. This book is copyrighted material. Use, reproduction or copying of it by anyone other than Dixon® is strictly forbidden without its express written consent.

NOTE: Reasonable care has been taken in preparing this catalog. Dixon Valve & Coupling Company, LLC reserves the right to make corrections.

