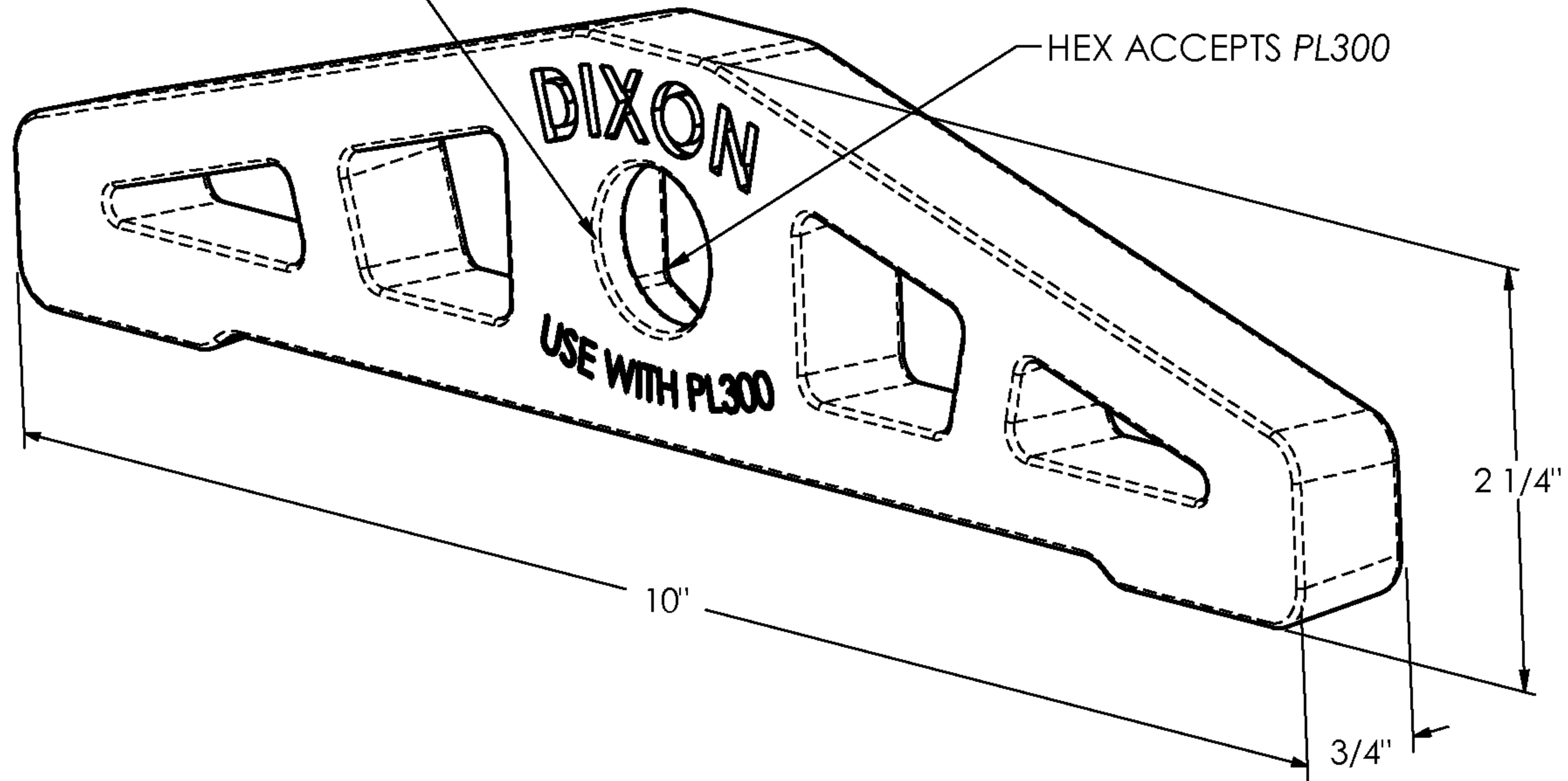


LB300

CUSTOMER DWG

HOLE ACCEPTS 1/2" MALE NPT THREAD

HEX ACCEPTS PL300



ASSEMBLY INSTRUCTIONS:

- 1) REMOVE ONE AIR FITTING FROM LUBRICATOR.
- 2) SLIP HEX OF BASE OVER HEX OF LUBRICATOR SO THAT THE LUBRICATOR'S 'UP' ARROW POINTS UP - TOWARDS THE 'DIXON' ON THE BASE.
- 3) RE-INSTALL THE AIR FITTING FROM STEP ONE. THE FITTING'S THREAD WILL FIT THROUGH THE HOLE IN THE BASE. BE SURE TO USE THREAD SEALANT TO PREVENT LEAKS.

CUSTOMER DWG



AGREEMENT TO MAINTAIN CONFIDENTIALITY

This drawing is owned by Dixon Valve & Coupling Co. and shall be returned upon demand. It is loaned on condition that it shall not be copied or reproduced or submitted to others without the owners consent. In accepting it subject to this condition the recipient further agrees that this drawing or any design detail or concept disclosed herein shall not be used in any way detrimental to or in competition with the owner. If the recipient does not agree to the terms of this agreement they shall return this drawing immediately. The information contained in this drawing is subject to change without notice.

REV: A

DIXON VALVE & COUPLING CO.
U. S. A.

TITLE

BASE FOR PL300 INLINE LUBRICATORS

DRWN BY:

MHM
7-28-09

CHECKED BY:

[Signature]
2/24/10

APPROVAL:

2/24/10 *[Signature]*

MAT'L:

ALUMINUM

LB300