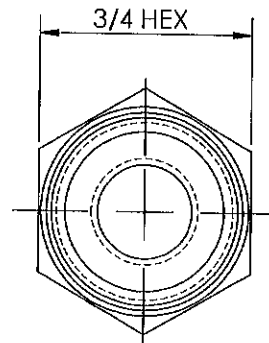
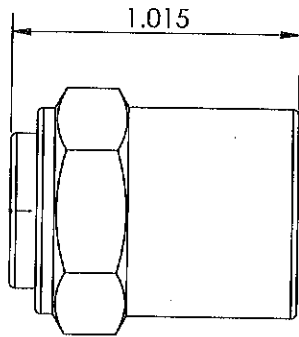
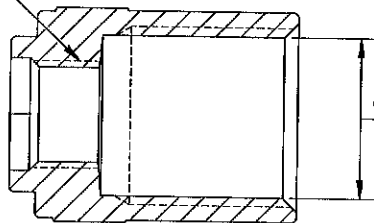


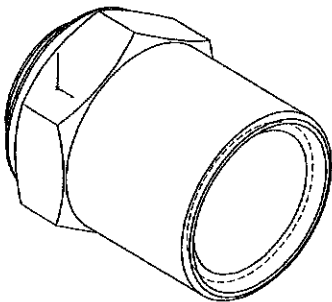
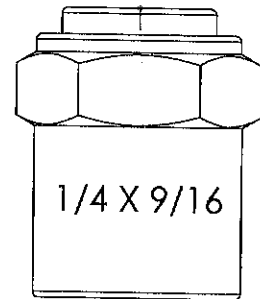
LINE DRAWING NOT FOR PRODUCTION PURPOSES




3/8 - 24 UNF-2B
HOSE I.D. 1/4

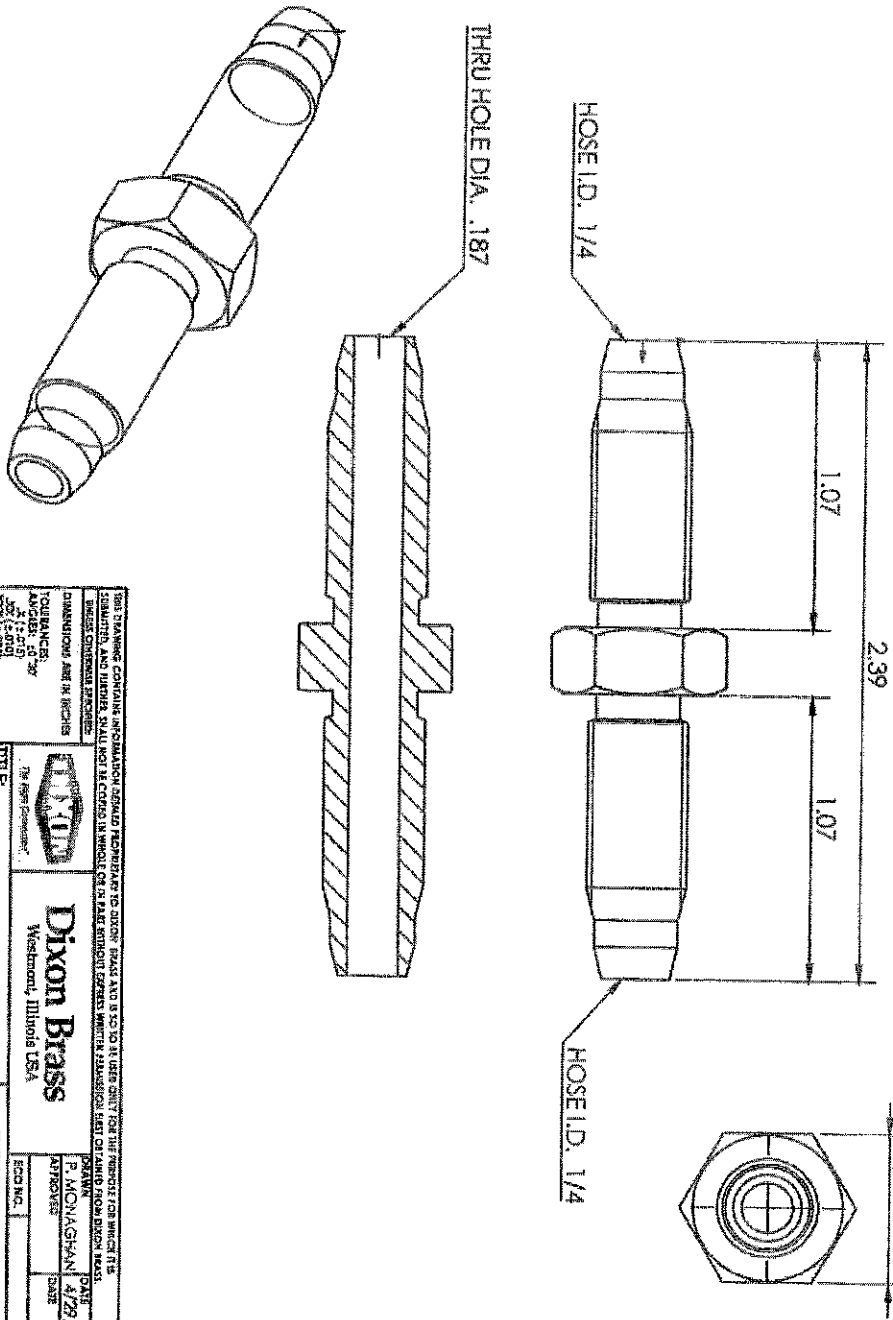


Ø HOSE O.D. 9/16



THIS DRAWING CONTAINS INFORMATION DEEMED PROPRIETARY TO DIXON BRASS AND IS TO BE USED ONLY FOR THE PURPOSE FOR WHICH IT IS SUBMITTED, AND FURTHER, SHALL NOT BE COPIED IN WHOLE OR IN PART WITHOUT EXPRESS WRITTEN PERMISSION FIRST OBTAINED FROM DIXON BRASS.			
UNLESS OTHERWISE SPECIFIED:			
DIMENSIONS ARE IN INCHES	 Dixon Brass Westmont, Illinois USA	DRAWN	DATE
TOLERANCES: ANGLES: 50°30' .X (±.015) .XX (±.010) .XXX (±.005)		P. MONAGHAN APPROVED	4/16/14 DATE
DIMENSIONS PER ANSI Y14.5	TITLE:	ECO NO.	
	REUSABLE FERRULE	DRAWING NOT REPRODUCED TO SCALE	
		SIZE	REV
		A	B
		DWG. NO.	
		1800409F	

LINE DRAWING NOT FOR PRODUCTION PURPOSES



THIS DRAWING CONTAINS INFORMATION SUBJECT TO EXPORT RESTRICTIONS AND IS TO BE USED ONLY FOR THE PURPOSES FOR WHICH IT IS ISSUED. IT IS THE RESPONSIBILITY OF THE USER TO OBTAIN THE NECESSARY EXPORT PERMITS AND LICENSES. UNLESS OTHERWISE SPECIFIED, DIMENSIONS ARE IN INCHES.	
TOLERANCES: ANGLES: ±.05 HOLE DIA: ±.0015 HOLE LENGTH: ±.0015 DIMENSIONS PER ANSI Y14.5	
THE RIGHT OF INVENTION 	Dixon Brass Westmont, Illinois USA
TITLE REUSABLE HOSE SPLICER	DATE 4/29/15 REV B
SIZE A	DWG. NO. 1860404S