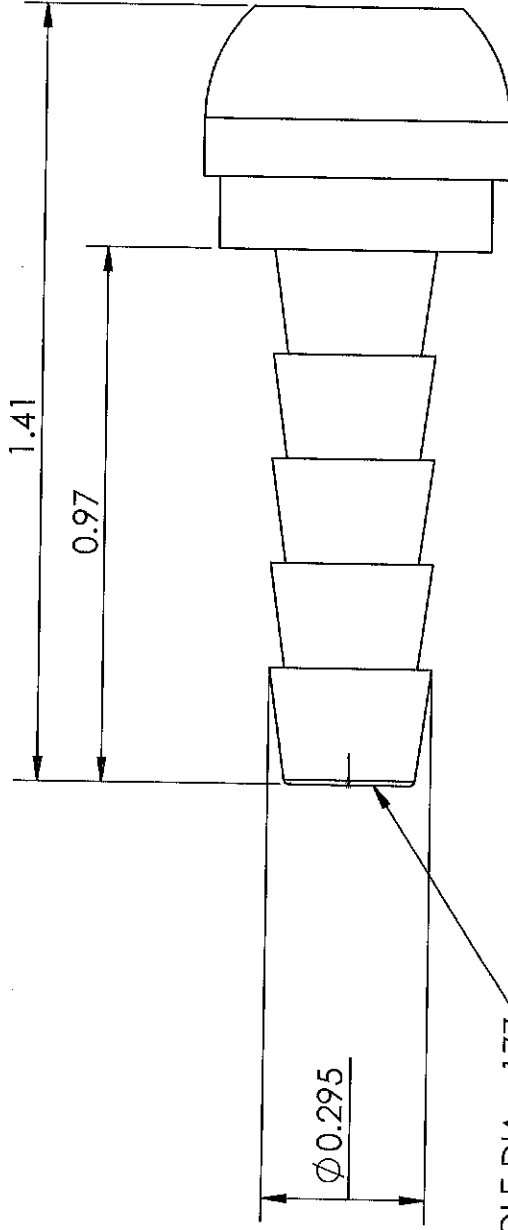
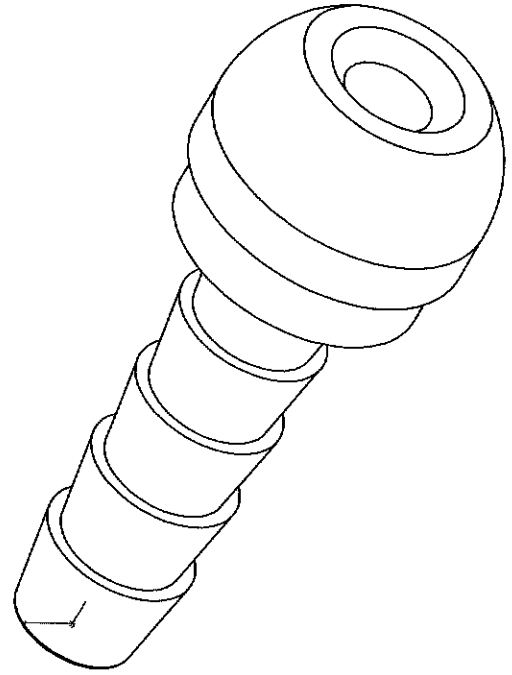


LINE DRAWING NOT FOR PRODUCTION PURPOSES

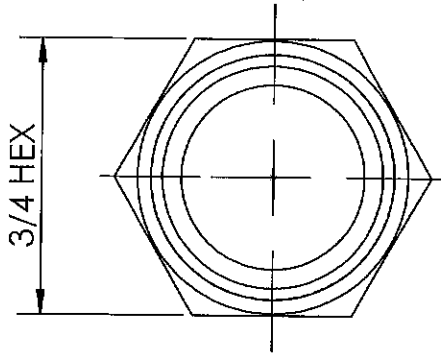
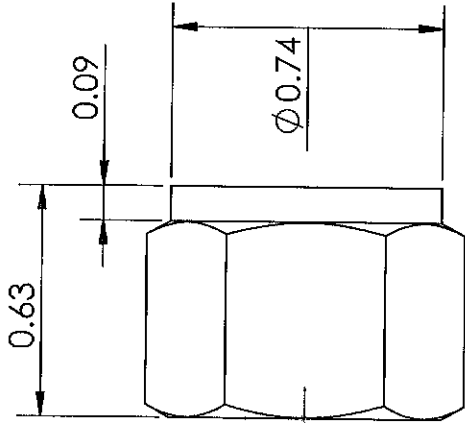


THRU HOLE DIA. .177

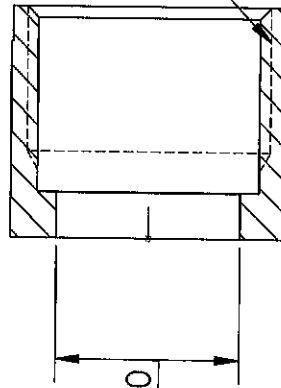


THIS DRAWING CONTAINS INFORMATION DEEMED PROPRIETARY TO DIXON BRASS AND IS TO BE USED ONLY FOR THE PURPOSE FOR WHICH IT IS SUBMITTED, AND FURTHER, SHALL NOT BE COPIED IN WHOLE OR IN PART WITHOUT EXPRESS WRITTEN PERMISSION FIRST OBTAINED FROM DIXON BRASS, UNLESS OTHERWISE SPECIFIED:		DATE DRAWN	DATE 2/27/14
DIXON The Right Connection [®]		APPROVED P. MONAGHAN	DATE
Dixon Brass Westmont, Illinois USA		ECO NO.	
TITLE: 1/4 SWIVEL STEM BALL TYPE		DRAWING NOT REPRODUCED TO SCALE	
DIMENSIONS ARE IN INCHES TOLERANCES: ANGLES: ±0°30' X (±.015) XX (±.010) XXX (±.005)		SIZE A	REV E
DIMENSIONS PER ANSI Y14.5		DWG. NO. 1240406S	

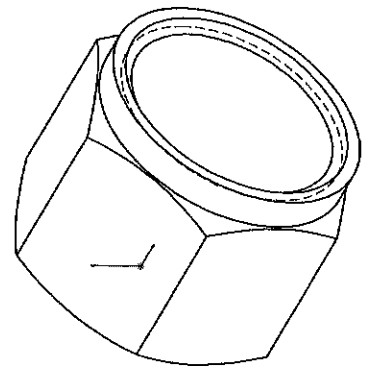
LINE DRAWING NOT FOR PRODUCTION PURPOSES



(THRU HOLE DIA.) Ø0.50



3/8 - 18 NPSM
THREAD



THIS DRAWING CONTAINS INFORMATION DEEMED PROPRIETARY TO DIXON BRASS AND IS SO TO BE USED ONLY FOR THE PURPOSE FOR WHICH IT IS SUBMITTED, AND FURTHER, SHALL NOT BE COPIED IN WHOLE OR IN PART WITHOUT EXPRESS WRITTEN PERMISSION FIRST OBTAINED FROM DIXON BRASS. UNLESS OTHERWISE SPECIFIED:

DIMENSIONS ARE IN INCHES
TOLERANCES:
ANGLES ±0°30'
AN ±0.005
XX ±0.010
XXX ±0.005
DIMENSIONS PER ANSI Y14.5



Dixon Brass
Westmont, Illinois USA

DRAWN

DATE

P. MONAGHAN 2/27/14

APPROVED

DATE

ECO NO.

DRAWING NOT REPRODUCED TO SCALE

DWG. NO.

A 1240406N

REV

D

TITLE:
FEMALE SWIVEL NUT
3/8 - 18 NPSM