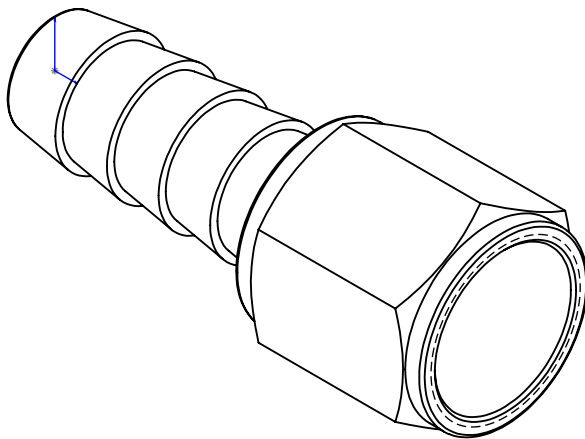
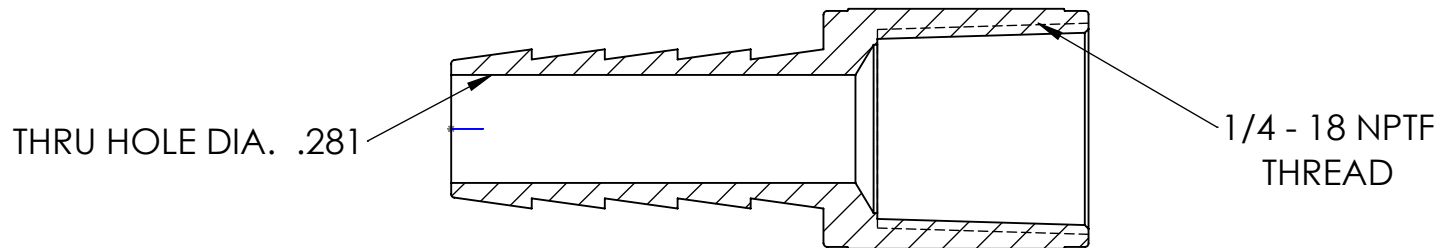
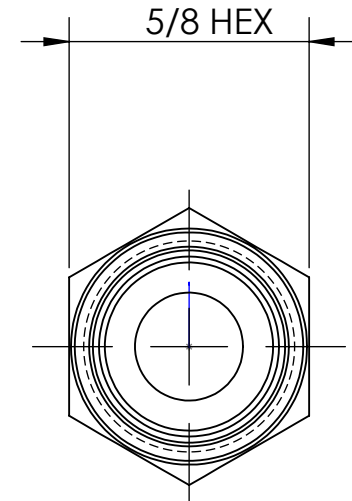
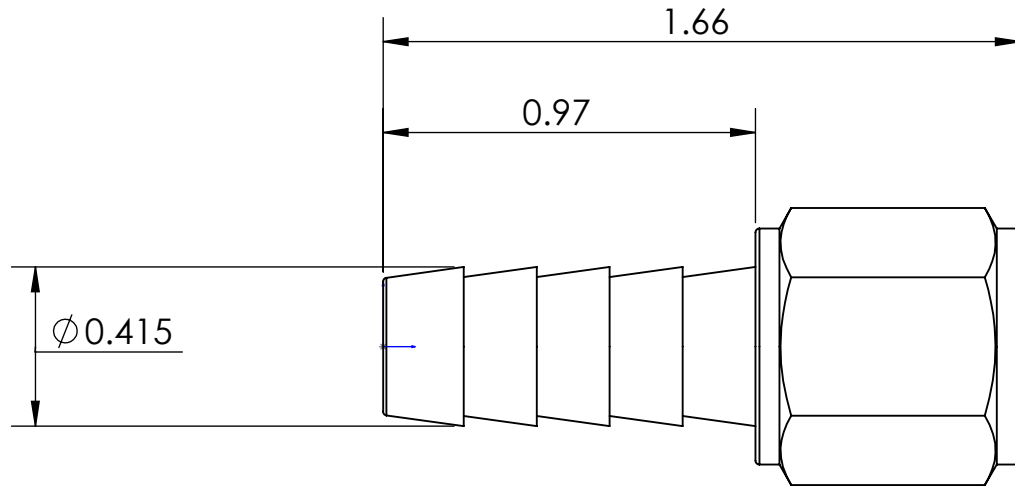



LINE DRAWING NOT FOR PRODUCTION PURPOSES



THIS DRAWING CONTAINS INFORMATION DEEMED PROPRIETARY TO DIXON BRASS AND IS SO TO BE USED ONLY FOR THE PURPOSE FOR WHICH IT IS SUBMITTED, AND FURTHER, SHALL NOT BE COPIED IN WHOLE OR IN PART WITHOUT EXPRESS WRITTEN PERMISSION FIRST OBTAINED FROM DIXON BRASS.				
UNLESS OTHERWISE SPECIFIED:		 <b>Dixon Brass</b> Westmont, Illinois USA	DRAWN P. MONAGHAN APPROVED	DATE 1/16/14 DATE
DIMENSIONS ARE IN INCHES  TOLERANCES: ANGLES: $\pm 0^{\circ}30'$ .X ( $\pm .015$ ) .XX ( $\pm .010$ ) .XXX ( $\pm .005$ )  DIMENSIONS PER ANSI Y14.5			ECO NO.	
TITLE: 3/8 FEMALE HOSE BARB X 1/4 - 18 NPTF		DRAWING NOT REPRODUCED TO SCALE		
SIZE	DWG. NO.	REV		
<b>A</b>	1040604C	B		