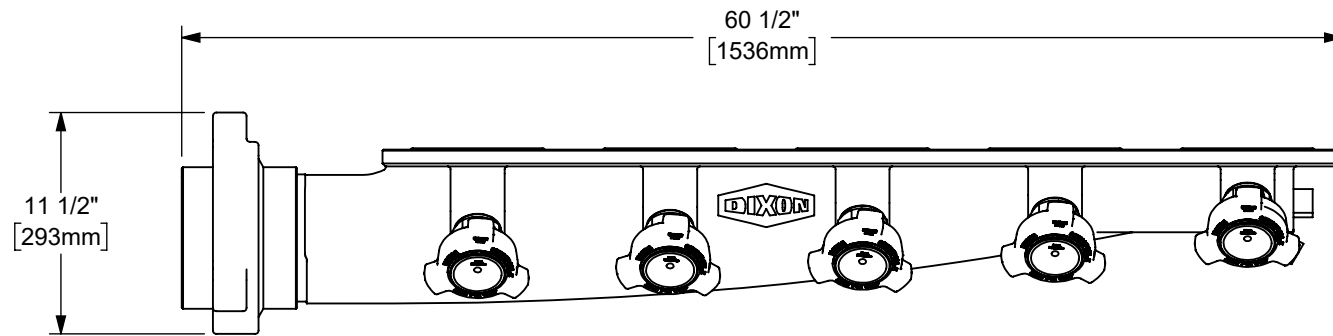
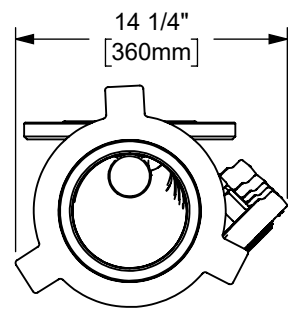


ITEM NO.	PART NUMBER	DESCRIPTION	MATERIAL	QTY.
1	<b>5PORTM-6T</b>	5-PORT ZOOMIE MANIFOLD WITH 6" MALE NPT INLET	SEE BOM	1
	<i>5PORTM-6T</i>	<i>5-PORT ZOOMIE MANIFOLD BODY</i>	<i>IRON</i>	<i>1</i>
	<i>O439BU</i>	<i>O-RING</i>	<i>BUNA-N</i>	<i>5</i>
	<i>HHBT875X175</i>	<i>7/8" HEX HEAD BOLT x 1 3/4" LONG</i>	<i>CARBON STEEL</i>	<i>20</i>
	<i>HUWAS225OD</i>	<i>2 1/4" OD FLAT WASHER</i>	<i>CARBON STEEL</i>	<i>20</i>
2	<b>HU206600</b>	6" FIG.206 FEMALE NPT SUB	CARBON STEEL / IRON	1
3	<b>HUF206200MT</b>	2" FIG. 206 SERIES FEMALE HAMMER UNION x 2" MALE NPT ADAPTER	IRON	5
4	<b>SHP100FS</b>	1" SQUARE HEAD PLUG	STEEL	1
5	<b>SHP200FS</b>	2" SQUARE HEAD PLUG	STEEL	1
6	<b>HUC206200</b>	2" FIG.206 "BULL PLUG" STYLE CAP WITH STANDARD NUT	SEE BOM	5
	<i>HUC206200-1</i>	<i>2" 206 SERIES BULL PLUG BODY</i>	<i>CARBON STEEL</i>	<i>1</i>
	<i>HU206200N</i>	<i>2" FIG.206 FRAC NUT</i>	<i>CARBON STEEL</i>	<i>1</i>
	<i>WS-287</i>	<i>RETAINING RING</i>	<i>CARBON STEEL</i>	<i>1</i>
	<i>O228BU</i>	<i>O-RING</i>	<i>BUNA-N</i>	<i>1</i>
7	<b>HUWAS125OD</b>	1 1/4" OD FLAT WASHER	CARBON STEEL	5
8	<b>HUBT716X050</b>	7/16" HEX HEAD BOLT x 1/2" LONG	CARBON STEEL	5
*9	<b>WSR1</b>	KING SAFETY CABLE	STEEL	5

\* ITEM 9 NOT SHOWN



The Right Connection™  
dixonvalve.com

**PROPRIETARY AND CONFIDENTIAL**

This drawing is owned by Dixon Valve & Coupling Co. and shall be returned upon demand. It is loaned on condition that it shall not be copied or reproduced or submitted to others without the owners consent. In accepting it subject to this condition the recipient further agrees that this drawing or any design detail or concept disclosed herein shall not be used in any way detrimental to or in competition with the owner. If the recipient does not agree to the terms of this agreement they shall return this drawing immediately. The information contained in this drawing is subject to change without notice.

**DO NOT SCALE THIS DRAWING**

**DIXON U.S.A.**

THE RIGHT CONNECTION™

TITLE: 5-PORT ZOOMIE MANIFOLD ASSEMBLY

MATERIAL: SEE BOM

PART NUMBER: **5PM6T-S7**