

Pneumatically Actuated 3-Way Brass Ball Valves - 'T / L' Port

- see page 706 for flow path options
- A flow path needs to be selected at time of order. If no flow path is selected, the option number labeled as default will be shipped.
- Customer verification is critical. If flow path needs to be changed after being shipped, labor and shipping charges will apply.
- for spring return actuators must note fail position



Features:

3-Way Brass Ball Valve

- reduced port
- blow-out proof stem
- brass body and chrome-plated brass ball
- PTFE seats with O-ring backing for low operating torque
- PTFE seats and double O-ring stem packing
- ISO 5211 mounting pad
- 100% tested
- pressure rating: **400 PSI WOG 100 PSI WSP**
- maximum temperature: **300°F**

Rack and Pinion Actuator

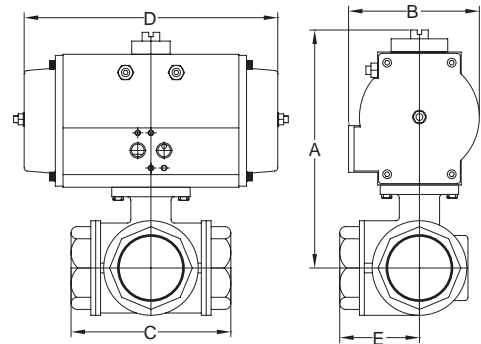
- hard anodized aluminum body
- nickel plated anti-blowout pinion
- Buna-N O-rings
- NAMUR mounting
- bi-directional stops for $\pm 5^\circ$ travel adjustment
- 80 PSI plant air required
- visual position indication
- maximum operating pressure: **120 PSI**
- temperature range: **-40°F to 200°F**
- tested to one million cycles

Spring Return (normally closed)

All dimensions are given in inches, unless noted. Dimensions are approximate. Engineering dimensions are available upon request. Specifications are subject to change without notice.

* T = t-style
* L = l-style

Size	Dimensions					Brass	
	A	B	C	D	E	Part #	Price/E
1/4"	4.72	2.80	2.64	5.49	1.32	BV3BV*R-0251BBC	\$626.30
3/8"	4.72	2.80	2.64	5.49	1.32	BV3BV*R-0381BBC	626.30
1/2"	4.72	2.80	2.87	5.49	1.44	BV3BV*R-0501BBC	626.30
3/4"	4.81	2.80	3.19	5.49	1.60	BV3BV*R-0751BBC	663.15
1"	6.28	3.74	3.74	7.45	1.87	BV3BV*R-1001BBC	774.35
1 1/4"	6.50	3.74	4.39	7.45	2.20	BV3BV*R-1251BBC	900.85
1 1/2"	6.99	3.74	4.86	7.45	2.43	BV3BV*R-1501BBC	1189.35
2"	8.45	4.69	5.73	9.10	2.87	BV3BV*R-2001BBC	1669.00
2 1/2"	8.90	4.69	6.93	9.10	3.47	BV3BV*R-2501BBC	2574.20
3"	8.90	4.69	7.08	9.10	3.54	BV3BV*R-3001BBC	2511.55

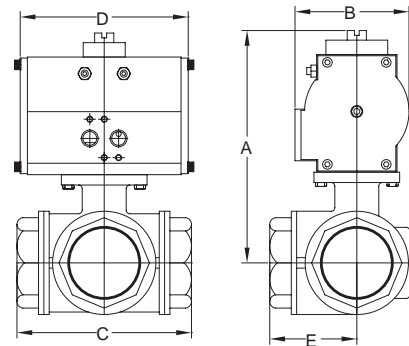


Double Acting

Dimensions are approximate. Engineering dimensions are available upon request. Specifications are subject to change without notice.

* T = t-style
* L = l-style

Size	Dimensions					Brass	
	A	B	C	D	E	Part #	Price/E
1/4"	3.76	1.77	2.64	4.33	1.32	BV3BV*R-0251BCC	\$479.20
3/8"	3.76	1.77	2.64	4.33	1.32	BV3BV*R-0381BCC	479.20
1/2"	3.76	1.77	2.87	4.33	1.44	BV3BV*R-0501BCC	489.00
3/4"	3.85	1.77	3.19	4.33	1.60	BV3BV*R-0751BCC	528.50
1"	5.53	3.20	3.74	5.32	1.87	BV3BV*R-1001BCC	637.05
1 1/4"	5.75	3.20	4.39	5.32	2.20	BV3BV*R-1251BCC	768.85
1 1/2"	6.24	3.20	4.86	5.32	2.43	BV3BV*R-1501BCC	1016.15
2"	7.55	3.74	5.73	5.51	2.87	BV3BV*R-2001BCC	1434.15
2 1/2"	8.00	3.74	6.93	5.51	3.47	BV3BV*R-2501BCC	2295.90
3"	8.00	3.74	7.08	5.51	3.54	BV3BV*R-3001BCC	2241.95



A wide variety of switches, solenoids, positioners, etc., are available. Contact Dixon™ at 800.789.1718 or visit dixonvalve.com for details.



Caution !



Even though there are torque safety factors built into our automated ball valve packages, actual service conditions must also be considered when selecting the proper product for the appropriate application.
 For example: Severe service conditions such as dirty water, dirty air, all slurries, raw sewage water, oils, and other viscous fluids can have a dramatic affect in raising the torque requirements of ball valves as much as 75% and therefore larger actuators may be required. Please consult Dixon™ when dealing with these types of applications.