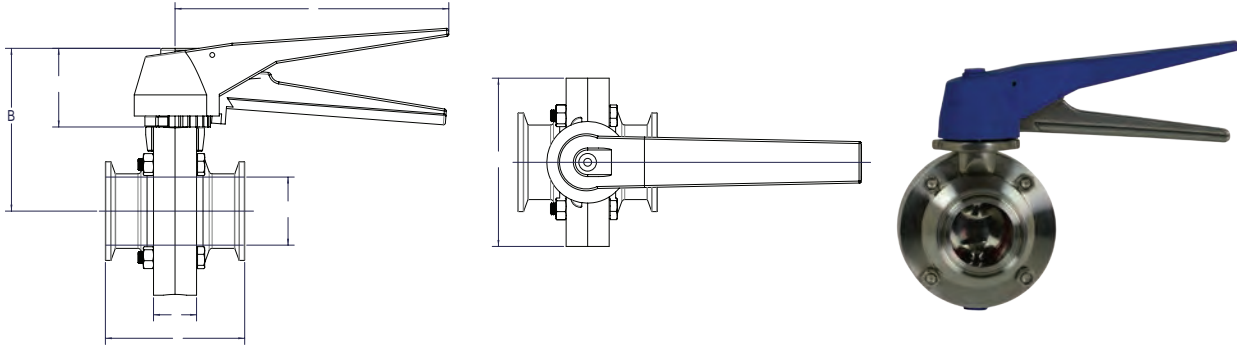


304 Stainless Steel Butterfly Valves with Trigger Handle

Features:

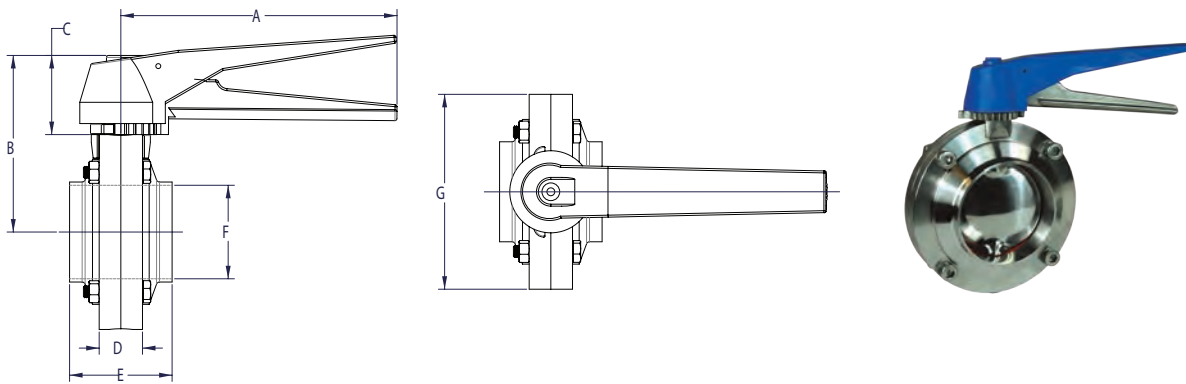
- 100% tested / 100% inspected
- all wetted surfaces are sanitary finish to $<32R_a$
- field serviceable (no special tools required)
- silicone seats
- blue trigger handle
- temperature range: **15° to 200°F**
- maximum operating pressure: **110 PSI**
- repair kits available
- cannot be actuated

Clamp End



Size	Dimensions							304 Stainless Steel	
	A	B	C	D	E	F	G	Part #	Price/E
1½"	5.70"	3.40"	1.60"	0.87"	2.80"	1.40"	3.40"	B5115S150CC-C	\$164.95
2"	5.70"	3.60"	1.60"	0.87"	3.00"	1.90"	3.90"	B5115S200CC-C	213.00
3"	5.70"	4.20"	1.60"	0.87"	3.30"	2.90"	5.00"	B5115S300CC-C	313.30
4"	6.89"	5.51"	1.60"	0.87"	3.62"	3.83"	6.89"	B5115S400CC-C	445.45

Weld End



Size	Dimensions							304 Stainless Steel	
	A	B	C	D	E	F	G	Part #	Price/E
1½"	5.70"	3.40"	1.60"	0.87"	1.97"	1.40"	3.40"	B5115S150BB-C	\$161.65
2"	5.70"	3.60"	1.60"	0.87"	2.05"	1.90"	3.90"	B5115S200BB-C	195.95
3"	5.70"	4.20"	1.60"	0.87"	2.12"	2.90"	5.00"	B5115S300BB-C	290.30
4"	6.89"	5.51"	1.60"	0.87"	2.52"	3.83"	6.89"	B5115S400BB-C	422.20

Silicone Replacement Seats

Size	Part #	Price/E
1½"	B5115-RKS150	\$24.75
2"	B5115-RKS200	29.05
3"	B5115-RKS300	46.05
4"	B5115-RKS400	49.40