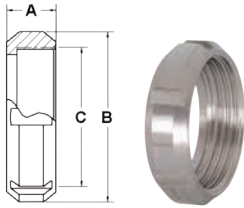


European Fittings - SMS

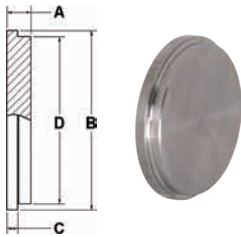
Sanitary Fittings



Round Nuts - 13R

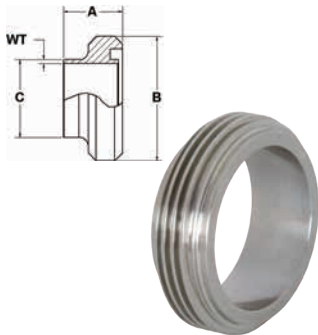
Nominal Size	A (mm)	B (mm)	C (mm)	304 Stainless Steel Part Number
1"	19.0	51.0	40 x 1/6	13R-G100SMS
1½"	23.0	74.0	60 x 1/6	13R-G150SMS
2"	24.0	84.0	70 x 1/6	13R-G200SMS
2½"	28.0	100.0	85 x 1/6	13R-G250SMS
3"	30.0	114.0	98 x 1/6	13R-G300SMS
4"	31.0	138.0	125 x 1/4	13R-G400SMS

Blank Caps - 16AMP



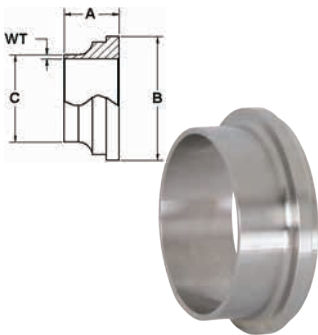
Nominal Size	A (mm)	B (mm)	C (mm)	D (mm)	316 Stainless Steel Part Number
1"	7.5	35.5	3.6	32.0	16AMP-R100SMS
1½"	8.0	55.0	4.1	47.9	16AMP-R150SMS
2"	9.0	65.0	4.1	60.4	16AMP-R200SMS
2½"	9.0	80.0	4.1	73.5	16AMP-R250SMS
3"	11.0	93.0	5.1	86.5	16AMP-R300SMS
4"	11.0	118.0	5.8	112.5	16AMP-R400SMS

Welding Males - 15A



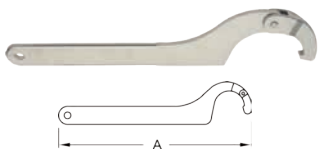
Nominal Size	WT (mm)	A (mm)	B (mm)	C (mm)	316 Stainless Steel Part Number
1"	1.25	19.0	40 x 1/6	25.0	15A-R100SMS
1½"	1.25	23.0	60 x 1/6	38.0	15A-R150SMS
2"	1.25	23.0	70 x 1/6	51.0	15A-R200SMS
2½"	1.50	27.0	85 x 1/6	63.5	15A-R250SMS
3"	1.60	27.0	98 x 1/6	76.1	15A-R300SMS
4"	2.00	30.0	125 x 1/4	101.6	15A-R400SMS

Welding Liners - 14A



Nominal Size	WT (mm)	A (mm)	B (mm)	C (mm)	316 Stainless Steel Part Number
1"	1.25	15.5	35.5	25.0	14A-R100SMS
1½"	1.25	16.0	55.0	38.0	14A-R150SMS
2"	1.25	17.0	65.0	51.0	14A-R200SMS
2½"	1.50	17.0	80.0	63.5	14A-R250SMS
3"	1.60	19.0	93.0	76.1	14A-R300SMS
4"	2.00	19.0	118.0	101.6	14A-R400SMS

DIN and SMS Spanner Wrenches - SP



Used On Nominal Size	A (mm)	Nickel Plated Steel Part Number
1" - 1½"	247.7	DIN-SMS-60/90SP
2" - 4"	330.2	DIN-SMS90/155SP

Manufactured in accordance to Swedish Milk Standard ISO 2037 and ISO 2851