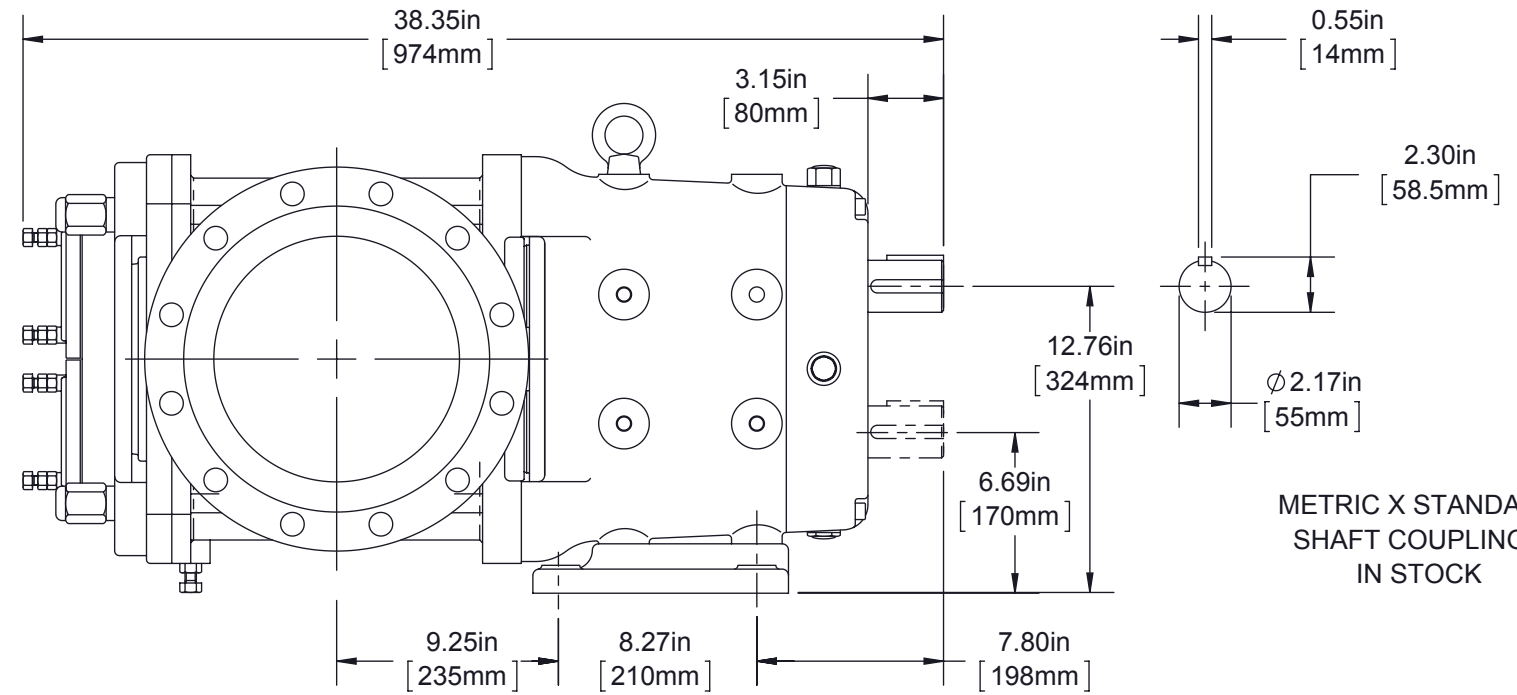
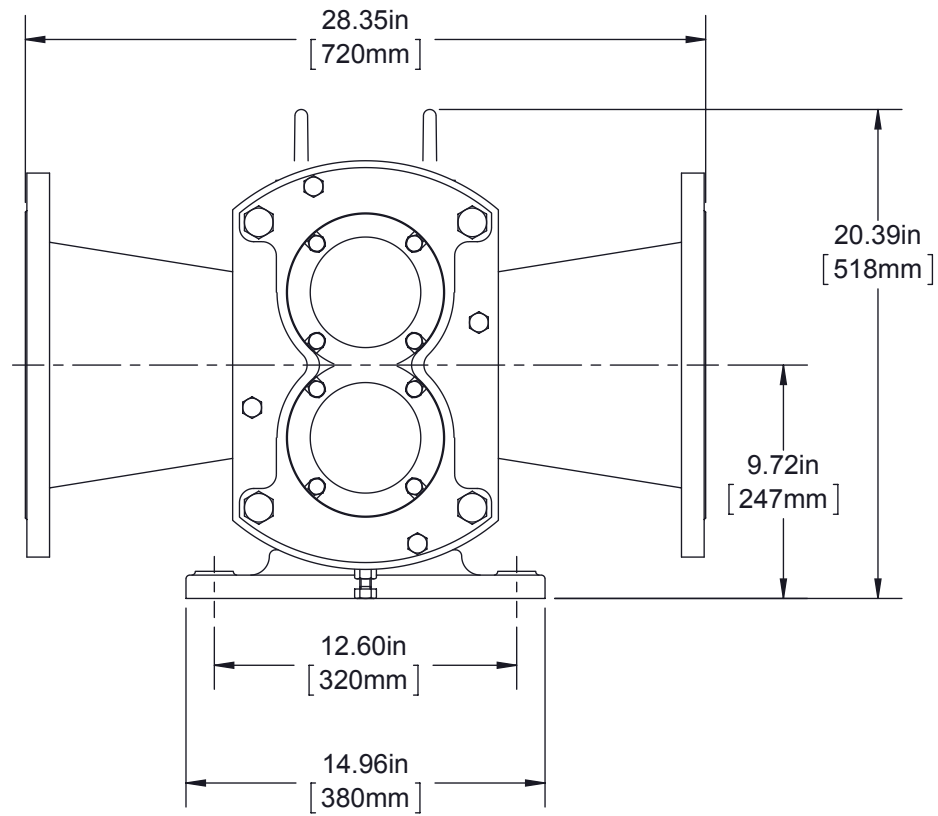


CONNECTIONS:  
10" FLANGE



METRIC X STANDARD  
SHAFT COUPLINGS  
IN STOCK



**DIXON SANITARY**  
N25 W23040 PAUL RD  
PEWAUKEE, WI 53072  
(800) 789-1718

**RZF5100**

**DIMENSIONAL DRAWING**

THIS DRAWING AND THE INFORMATION CONTAINED  
THERE ON IS THE EXCLUSIVE PROPERTY  
OF DIXON SANITARY AND MAY NOT BE COPIED  
OR MODIFIED WITHOUT OBTAINING WRITTEN PERMISSION

ALL UNITS IN  
INCHES UNLESS  
OTHERWISE  
SPECIFIED

MATERIAL:  
SCALE: 1:8  
SHEET: 1 OF 1

SIZE:  
**B**