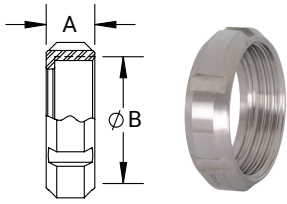


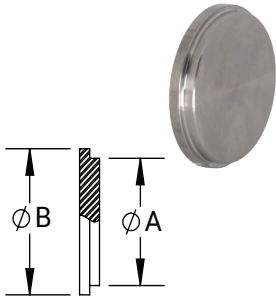
SMS

SMS Round Nuts - 13R



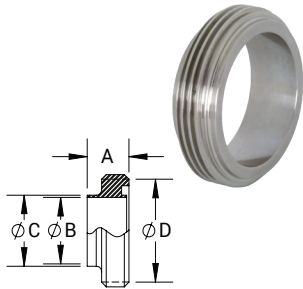
Size	A (mm)	B (mm)	304 Stainless Steel Part #
1"	19.0	Rd 40 x 1/6"	13R-G100SMS
1-1/2"	23.0	Rd 60 x 1/6"	13R-G150SMS
2"	24.0	Rd 70 x 1/6"	13R-G200SMS
2-1/2"	28.0	Rd 85 x 1/6"	13R-G250SMS
3"	30.0	Rd 98 x 1/6"	13R-G300SMS
4"	31.0	Rd 125 x 1/4"	13R-G400SMS

SMS Blank Caps - 16AMP



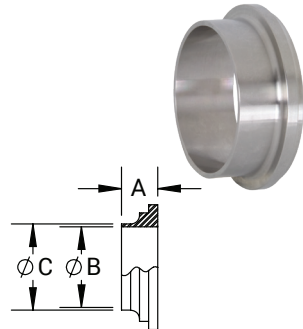
Size	A (mm)	B (mm)	316 Stainless Steel Part #
1"	32.0	35.5	16AMP-R100SMS
1-1/2"	47.9	55.0	16AMP-R150SMS
2"	60.4	65.0	16AMP-R200SMS
2-1/2"	73.5	80.0	16AMP-R250SMS
3"	86.5	93.0	16AMP-R300SMS
4"	112.5	118.0	16AMP-R400SMS

SMS x Tube O.D. Adapters - 15A



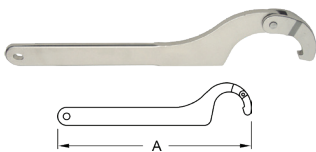
Tube O.D.	A (mm)	B (mm)	C (mm)	D (mm)	316 Stainless Steel Part #
1"	19.0	22.1	25.4	Rd 40 x 1/6"	15A-R100SMS
1-1/2"	23.0	34.8	38.1	Rd 60 x 1/6"	15A-R150SMS
2"	23.0	47.5	50.8	Rd 70 x 1/6"	15A-R200SMS
2-1/2"	27.0	60.2	63.5	Rd 85 x 1/6"	15A-R250SMS
3"	27.0	72.9	76.2	Rd 98 x 1/6"	15A-R300SMS
4"	30.0	97.4	101.6	Rd 125 x 1/4"	15A-R400SMS

SMS x Tube O.D. Welding Liners - 14A



Tube O.D.	A (mm)	B (mm)	C (mm)	316 Stainless Steel Part #
1"	15.5	22.1	25.4	14A-R100SMS
1-1/2"	16.0	34.8	38.1	14A-R150SMS
2"	17.0	47.5	50.8	14A-R200SMS
2-1/2"	17.0	60.2	63.5	14A-R250SMS
3"	19.0	72.9	76.2	14A-R300SMS
4"	19.0	97.4	101.6	14A-R400SMS

DIN and SMS Spanner Wrenches - SP



Used On Size	A (mm)	Nickel Plated Steel Part #
1" - 1-1/2"	247.7	DIN-SMS-60/90SP
2" - 4"	330.2	DIN-SMS90/155SP

NOTE: Manufactured in accordance to Swedish Milk Standard ISO 2037 and ISO 2851