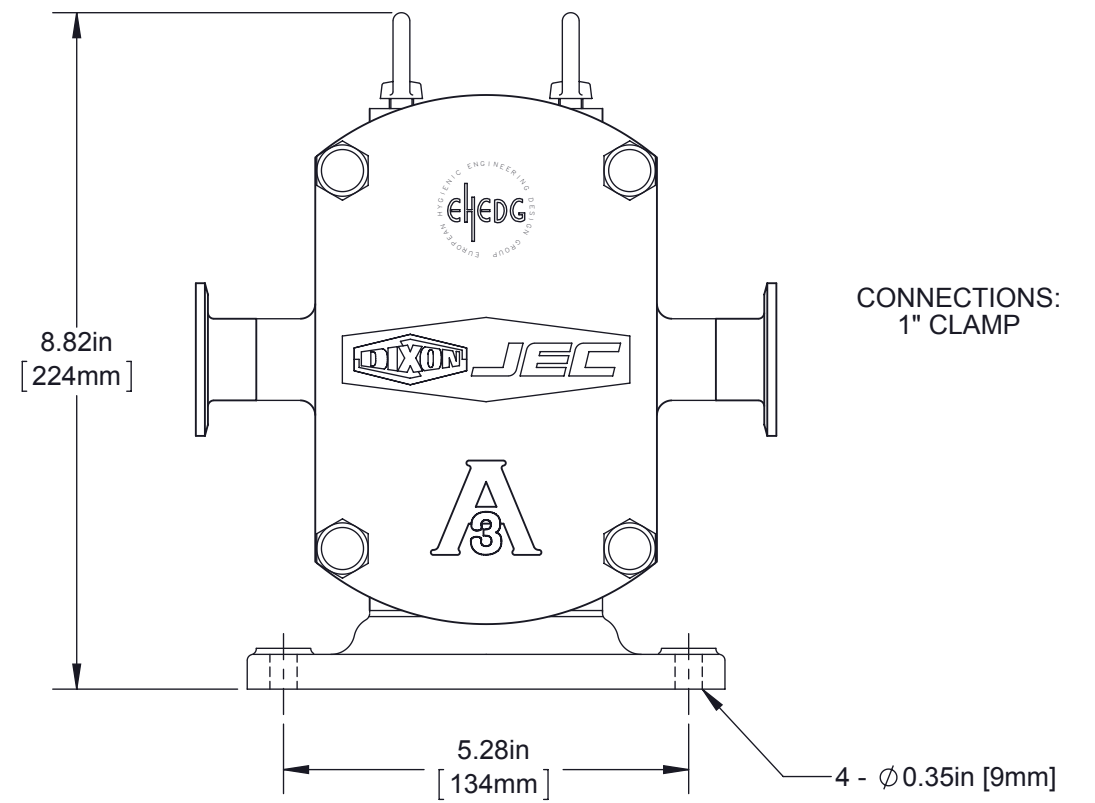


METRIC X STANDARD
SHAFT COUPLINGS
IN STOCK



CONNECTIONS:
1" CLAMP



DIXON SANITARY
N25 W23040 PAUL RD
PEWAUKEE, WI 53072
(800) 789-1718

RZL105

DIMENSIONAL DRAWING

THIS DRAWING AND THE INFORMATION CONTAINED
HERE ON IS THE EXCLUSIVE PROPERTY
OF DIXON SANITARY AND MAY NOT BE COPIED
OR MODIFIED WITHOUT OBTAINING WRITTEN PERMISSION

ALL UNITS IN
INCHES UNLESS
OTHERWISE
SPECIFIED

MATERIAL:
SCALE: 2:5
SHEET: 1 OF 1

SIZE:
B