

B5102-Series - Butterfly Valves Clamp

Features

- All sizes use only 3/4" of line space
- The grooved clamp housing connects directly to the corresponding sanitary clamp size
- PTFE valve disc bushings reduce friction and increase cycle life
- 3-position reversible handle
- 100% tested / 100% inspected
- Can be serviced in field (no special tools required)
- Various actuation options available

Materials

- Product contact material: 316L stainless steel
- Seat: silicone, EPDM, or FKM

Specifications

- Vacuum rating: 0.4 inches Hg @ 68°F (20°C)
- Operating temperature range: 15°F to 200°F (-9°C to 93°C)

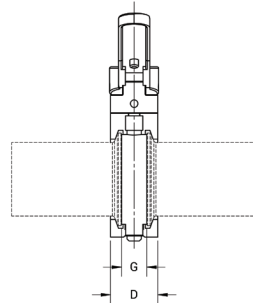
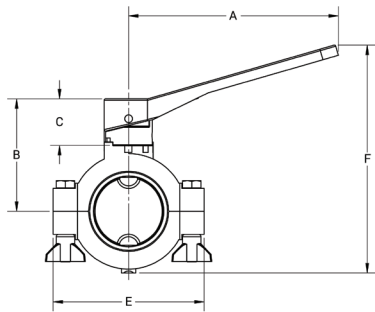
Information supplied based on water media @ 68°F (20°C)

Size	Break Torque (in. lbs.)	Assembly Torque (in. lbs.)	Pressure Rating (PSI)	Flow Coefficient (C _v)	Weight w/standard handle (lbs.)
1"	125	36	140	23	1.5
1-1/2"	185	36	140	80	2
2"	200	21.6	120	230	2.5
2-1/2"	260	21.6	120	264	3
3"	350	28.8	100	372	4
4"	495	43.2	70	800	6



Size	316L Stainless Steel with Silicone Seats Part #	316L Stainless Steel with FKM Seats Part #	316L Stainless Steel with EPDM Seats Part #
1"	B5102S100-A	B5102V100-A	B5102E100-A
1-1/2"	B5102S150-A	B5102V150-A	B5102E150-A
2"	B5102S200-A	B5102V200-A	B5102E200-A
2-1/2"	B5102S250-A	B5102V250-A	B5102E250-A
3"	B5102S300-A	B5102V300-A	B5102E300-A
4"	B5102S400-A	B5102V400-A	B5102E400-A

M



Size	Dimensions					
	A (in)	B (in)	C (in)	D (in)	E (in)	F (in)
1"	5.6	2.8	1.3	1.3	3.6	5.6
1-1/2"	5.6	2.8	1.3	1.3	3.6	5.6
2"	5.6	3.0	1.3	1.3	4.1	6.1
2-1/2"	5.6	3.3	1.3	1.3	4.6	6.6
3"	5.6	3.6	1.3	1.3	5.3	7.1
4"	5.6	4.1	1.3	1.3	6.4	8.2

Repair Kits for B5102-Series Butterfly Valves

Feature

- Repair kit contains
(1) seat
(2) bushings



Valve Size	Black EPDM Part #	Red Silicone Part #	Brown FKM Part #
1"	B5102-RKE100	B5102-RKS100	B5102-RKV100
1-1/2"	B5102-RKE150	B5102-RKS150	B5102-RKV150
2"	B5102-RKE200	B5102-RKS200	B5102-RKV200
2-1/2"	B5102-RKE250	B5102-RKS250	B5102-RKV250
3"	B5102-RKE300	B5102-RKS300	B5102-RKV300
4"	B5102-RKE400	B5102-RKS400	B5102-RKV400