

Dixon® Boss LPS Butterfly Valves

Applications

- Low-pressure transfer of water, acids, chemicals, slurries, and other liquids
- Designed for all low-pressure hydraulic fracturing applications

Sizes

- 4", 5", 8"

Features

- Locator notches around the outer edge of the body allow the valve to easily line up at center
- Actuator mounting flange outfitted with both industry standard and ISO bolt circle diameters
- Thicker stems deliver a more durable and reliable performance
- Grease zerk added to body neck for reliable performance
- 10-position throttling handle for controlled accuracy
- For use between lightweight flanges: 125 lb., 150 lb., or butterfly valve flange
- Valve is rebuildable; contact Dixon for replacement parts

Materials

- Body: ductile iron
- Disc: nickel-plated ductile iron
- Seat: nitrile rubber or FKM
- Bushings: PTFE
- O-rings: nitrile rubber
- Stems: 416 stainless steel
- Retaining pins: stainless steel
- Handle: malleable iron

Specifications

- Maximum working pressure: 4" and 5" - **200 PSI**; 8" - **175 PSI**
- Temperature range:
- Nitrile rubber seat **-20°F to 200°F (-28°C to 93°C)**; FKM seat **0°F to 200°F (-17°C to 93°C)**

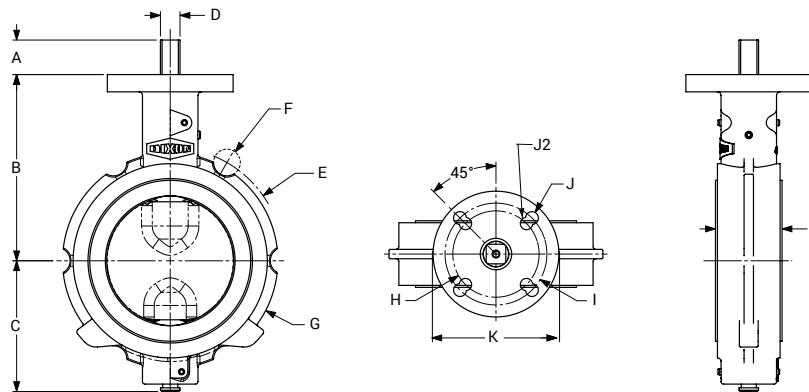


Actuated Butterfly Valve

Size	Description	Dixon Part #
4"	valve with nitrile rubber seat	4BF416DITF-CNBR
	valve with FKM seat	4BF416DITF-FKM
5"	valve with nitrile rubber seat	5BF416DITF-NBR
8"	valve with nitrile rubber seat	8BF416DITF-NBR

NOTE: Dixon provides actuation services for industrial and sanitary valves.

Dimensions



Size	A	B	C	D	E	F	G	H	I	J	J2	K	L
4"	1-3/32"	5-15/16"	4-3/16"	5/8"	7-1/4"	6 x 27/32"	6-7/8"	2-3/4"	3-1/4"	4 x 13/32"	4 x 13/32"	4"	2-1/8"
5"	1-1/4"	6-1/32"	4-27/32"	5/8"	7-19/32"	6 x 3/4"	7-3/4"	2-3/4"	3-1/4"	4 x 13/32"	4 x 7/16"	4"	2-3/16"
8"	1-1/4"	8-1/8"	7-1/16"	7/8"	11-3/4"	8 x 15/16"	11-3/4"	4-1/32"	5"	4 x 1/2"	4 x 19/32"	6"	2-5/8"